

1.29. Figure 1.29 shows circuits containing voltage and current sources and resistances. Some circuits are valid (non contradictory) for all values of the variables, some are valid for no values, and some are valid for specific values of the variables. Classify each and tell what, if any, values of the V 's, I 's, and R 's lead to circuits compatible with the definitions of the sources and resistance.

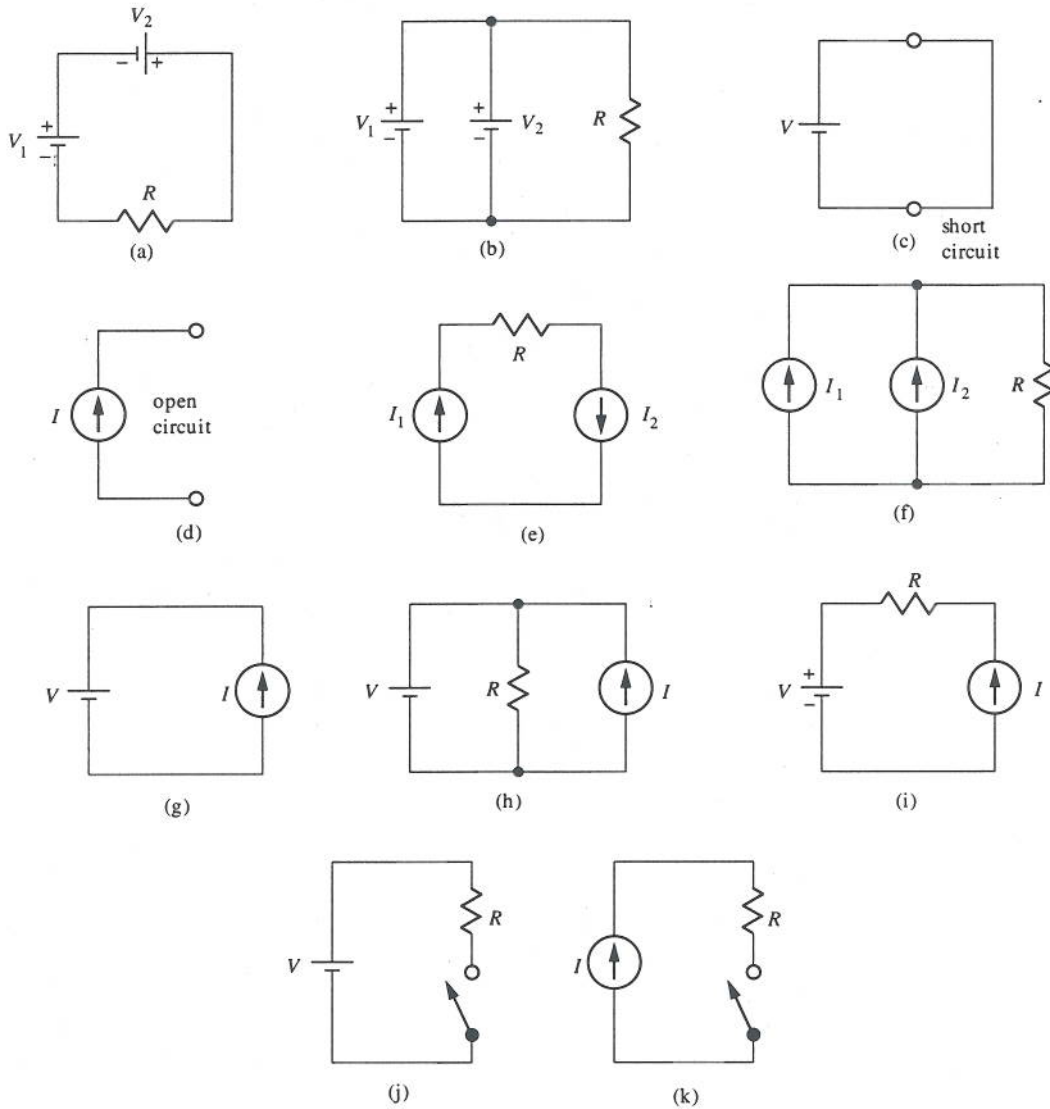


Figure P1.29