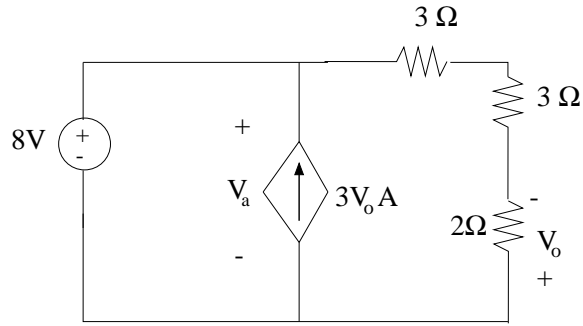
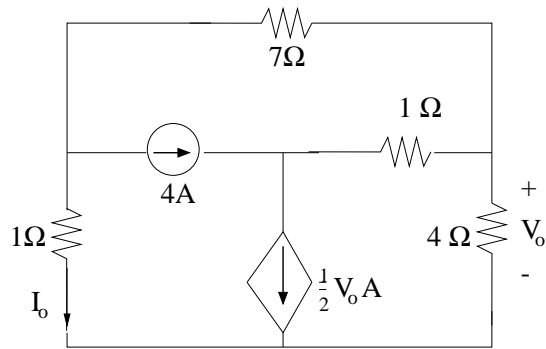


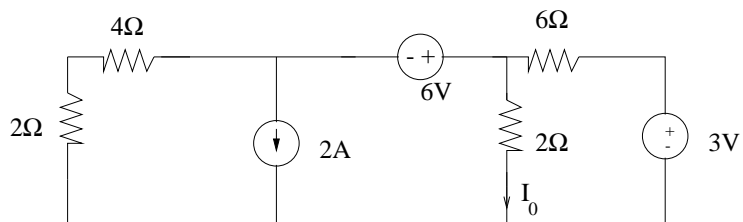
Problem 1: Use mesh analysis to find V_0 in the following circuit:



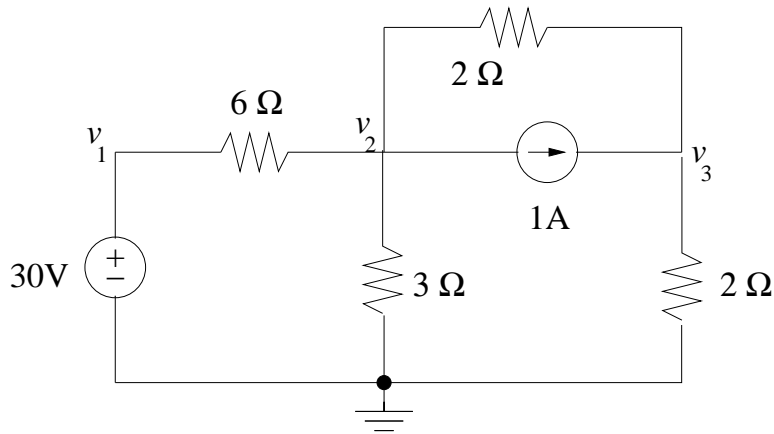
Problem 2: Use mesh analysis to find I_0 in the following circuit:



Problem 3: Use source transformation to find I_0 in the following circuit:



Problem 4: Use source transformations to reduce the following circuit to a circuit having one mesh. Calculate v_3 from this reduced circuit.



Problem 5: Find the Norton equivalent of the following circuit at the terminals A-B:

